

# TS 83

## Door closer



# Easy-action door closer with "thinking" backcheck

## Easy to fix and even easier to adjust. The door closer for almost every door size and application.

Decades of experience have gone into the development of the TS 83. The result is user comfort coupled with outstanding versatility. It can be adjusted to suit almost all types of door. It can even be supplied with additional anti-corrosion protection for exposed applications or aggressive conditions. Fixing couldn't be easier – and last but not least – it's engineered for excellence.

The production plant is ISO 9001 certified.

### Plus points

#### For the trade

- Low inventory costs and reduced stocking requirement thanks to streamlined product range.
- Practical and effective solutions to meet special applications thanks to comprehensive choice of accessories.

#### For the installer

- Easy to fix.
- Can be "tailored" to the requirements of the door by simple adjustment.
- Just one model for RH (DIN-R, ISO 5) and LH (DIN-L, ISO 6) doors, and for standard and frame/lintel fixing.
- Spring strength range EN 3–6 to suit virtually every application.

#### For the specifier/architect

- Compact closer design and sturdy flat-form arm assembly.
- Wide range of standard functions supplemented by optional extras.
- Suitable for fire doors.

#### For the user

- Optimum wall and door protection thanks to "thinking" backcheck.
- Closing speed virtually unaffected by temperature fluctuations.
- Proportionately low opening resistance thanks to high mechanical efficiency.

## Data and features

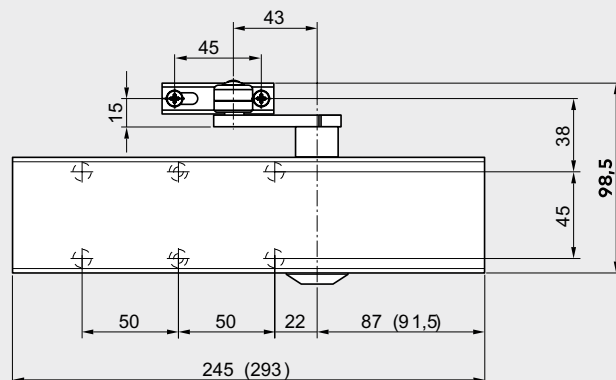
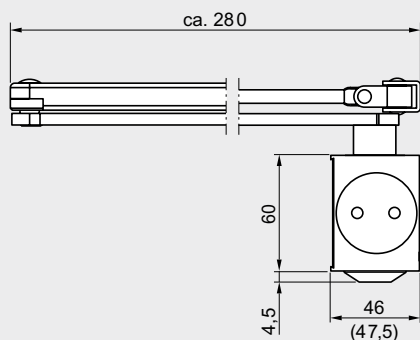
		TS 83	
Closing force adjustable	Size	EN 3–6	EN 7
<b>Standard doors<sup>1)</sup></b>	≤ 1400 mm ≤ 1600 mm	● –	– ●
<b>External doors, outward opening<sup>1)</sup></b>	≤ 1400 mm ≤ 1600 mm	● –	– ●
<b>For fire and smoke check doors<sup>1)</sup></b>	≤ 1400 mm ≤ 1600 mm	● –	– ●
<b>Non-handed</b>		●	●
<b>Arm assembly type</b>	Standard	●	●
	Flatform	●	●
	Slide channel	–	–
<b>Closing force variable by means of adjustment screw</b>		●	–
<b>Closing speed adjustable at 2 separate valves</b>	180°–15°	●	–
	15°–0°	●	–
<b>Closing speed variable by means of valve adjustment</b>		–	●
<b>Adjustable latching action</b>	by arm	●	●
<b>Backcheck</b>	self-regulating	●	●
	adjustable at valve	●	●
<b>Delayed action variable at valve</b>		○	–
<b>Hold-open</b>		○	○
<b>Weight in kg</b>		1,7	3,3
<b>Dimensions in mm</b>	Length	245	293
	Overall depth	46	47,5
	Height	60	60
Door closer tested to EN 1154		●	●
CE mark for construction products		●	●

● yes – no ○ optional

<sup>1)</sup> For applications involving particularly heavy or wide doors, and doors which have to close against wind resistance, the next highest closer size or a higher spring strength should be applied.



The TS 83 conforms to most recognised international standards and complies with the requirements and/or recommendations of the following: CERTIFIRE approved for fire doors; Ref. CF 118



( ) = EN 7

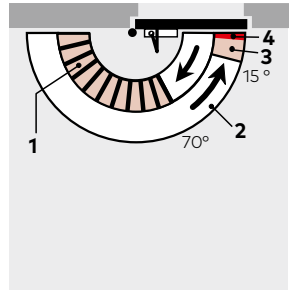
# Standard and optional functions

## With "thinking" backcheck – Model BC/ÖD

Thanks to an innovative design concept, the resistance developed by this backcheck system as the door is opened beyond approx. 70° is directly proportional to door acceleration. It is almost imperceptible when the door is opened slowly. However, if the door is opened hastily, the backcheck responds in equal measure. And if the door should be flung open at speed – whether deliberately, thoughtlessly, accidentally or as a result of a gust of wind – the backcheck reacts at full strength, protecting the wall and door from damage.



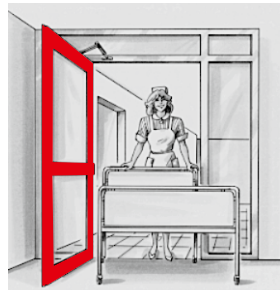
- 1 Self-regulating backcheck
- 2 Infinitely variable closing speed in the range 180° – 15°
- 3 Infinitely variable closing speed in the range 15° – 0°
- 4 Adjustable latch range (by arm)



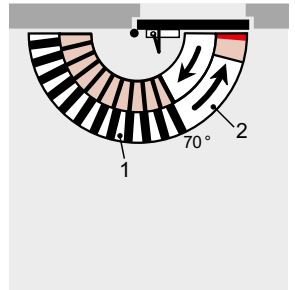
**If no backcheck function is required, the system can simply be switched off.**

## With additional delayed action – Model BC/ÖD + DC/SV

This model with its additional, integrated delayed action enables the closing cycle to be retarded within an adjustable range from 180° – 70° so that disabled persons, mothers with prams and people carrying bulky items are able to pass through the door without difficulty. This model can also be used for fire doors.



- 1 Adjustable delayed action
- 2 Fully controlled closing with adjustable speed



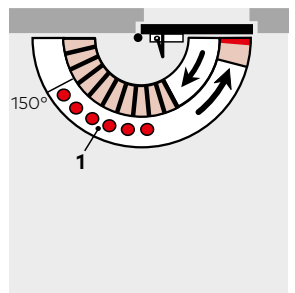
## With hold-open – Model with hold-open arm

Combining the TS 83 with a hold-open arm enables the door to be held open at an appropriate angle (up to approx. 150°).

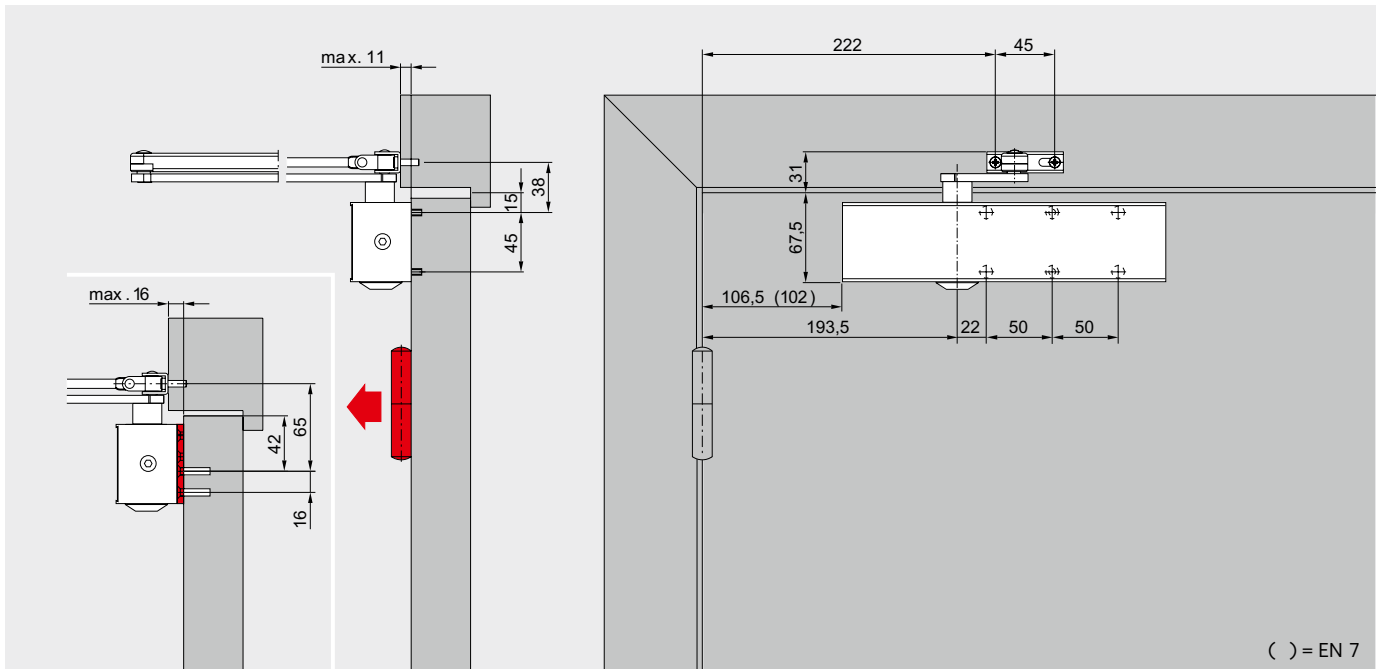
The hold-open function in the standard hold-open arm can be switched on and off by the user by simply pressing a switch.



- 1 Hold-open range
- Hold-open arms are not approved for fire and smoke check doors.**

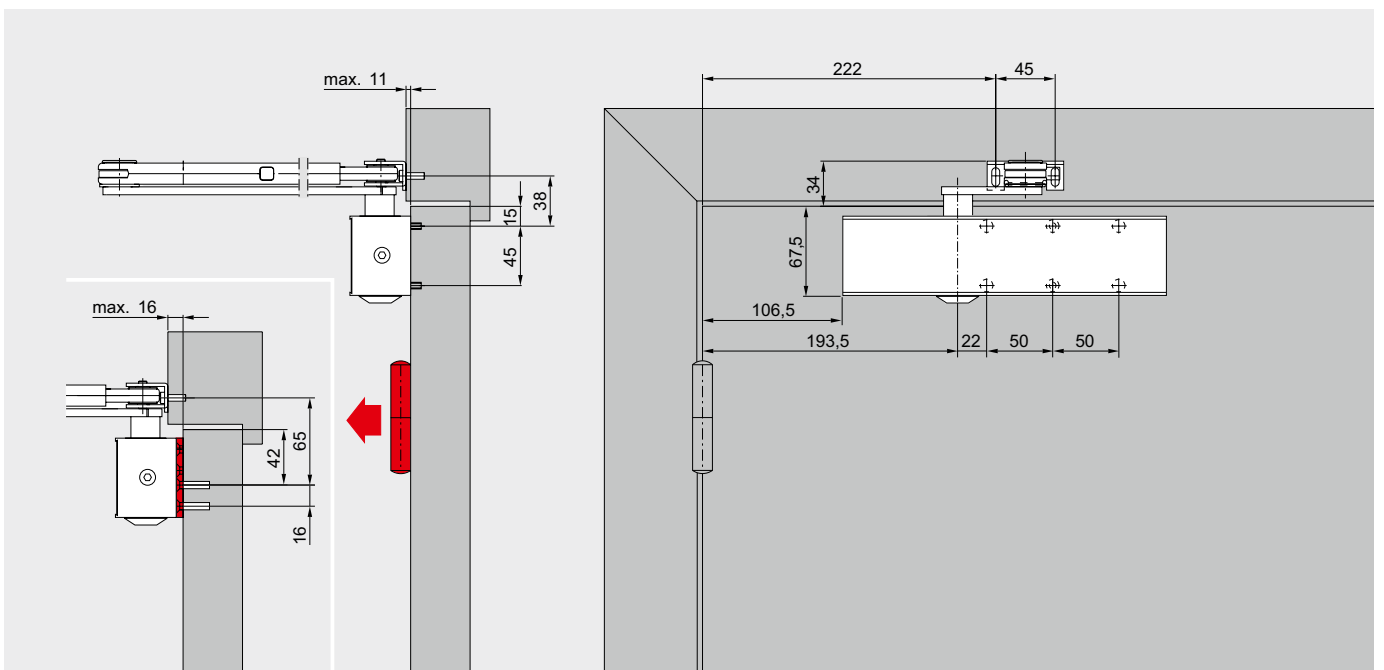


## Door leaf fixing, pull side



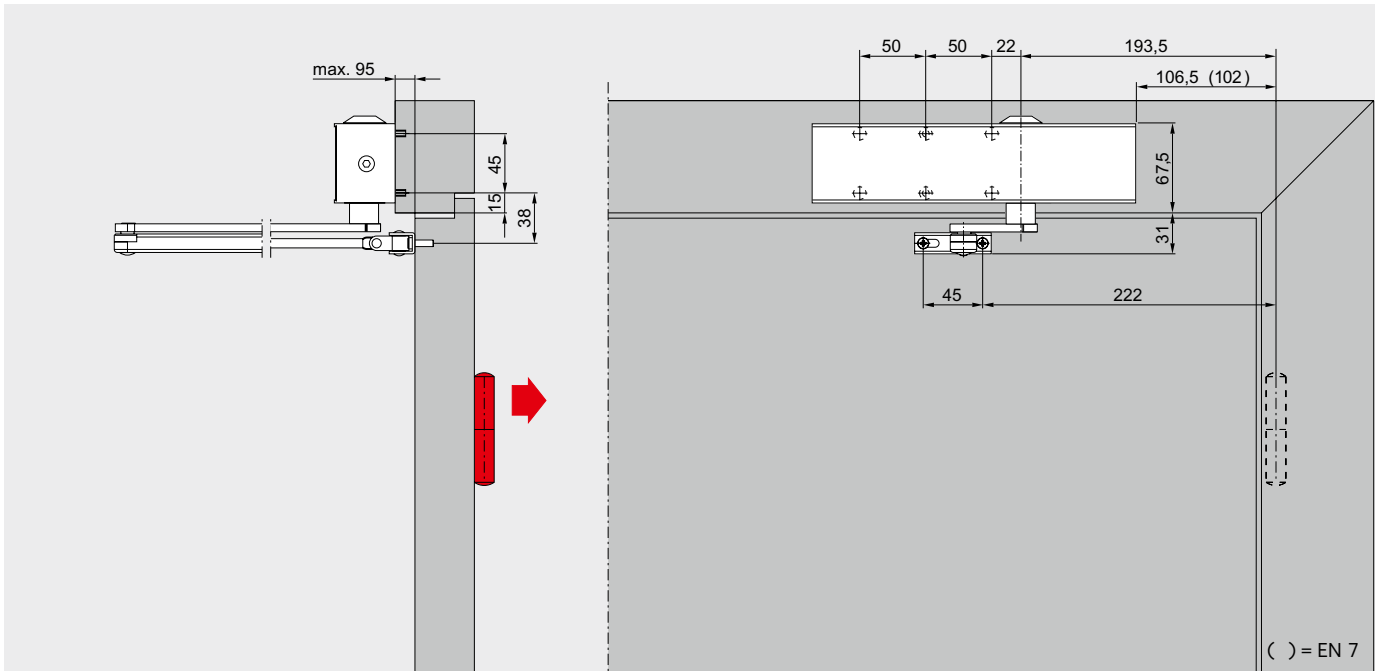
Example shows LH (ISO 6) door; RH (ISO 5) doors mirrored arrangement

## Door leaf fixing with hold-open arm



Example shows LH (ISO 6) door; RH (ISO 5) doors mirrored arrangement

# Transom fixing, push side



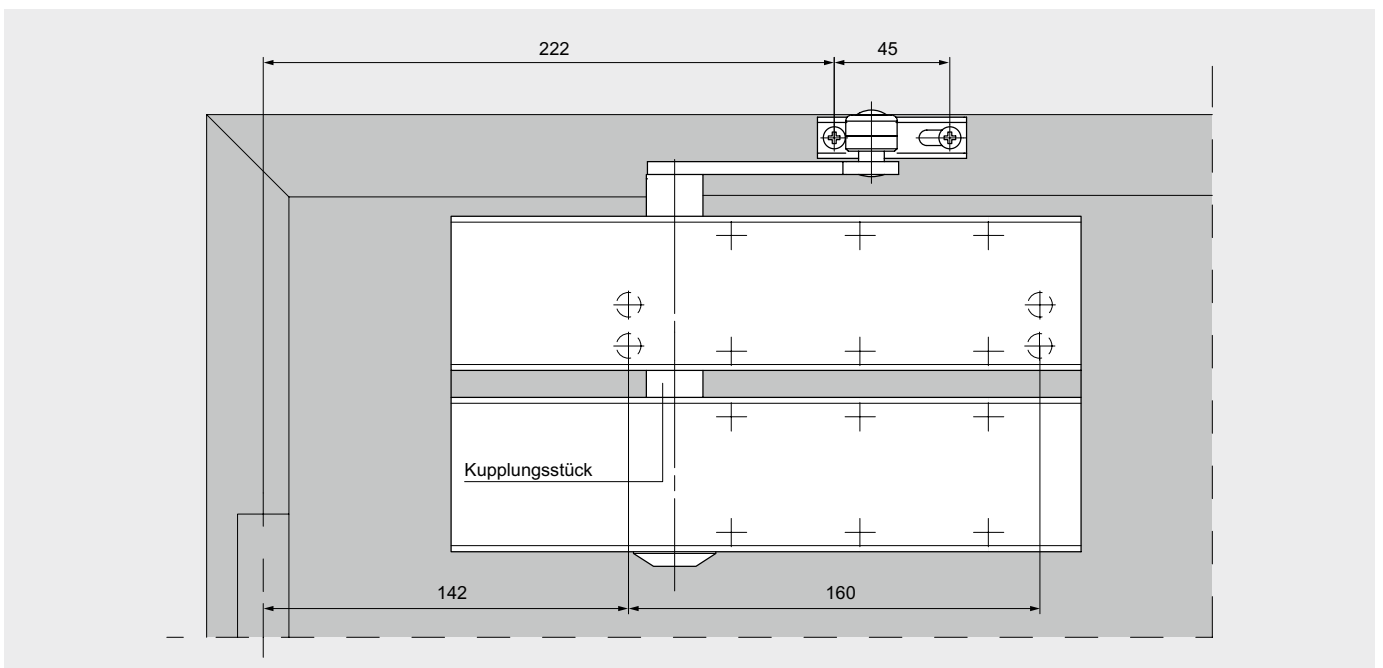
Example shows LH (ISO 6) door; RH (ISO 5) doors mirrored arrangement

In the case of fire doors, door closers may only be transom-fixed where appropriate approval has been obtained in the form of a certificate or test report issued by an accredited testing agency.

**Transom fixing:**

With transom-fixed closers, the backcheck only responds at between 85° and 90°, depending on the depth of reveal and type of door hinge involved; the delayed action, on the other hand, releases the door at an earlier point in its closing sweep.

# Door-leaf mounting tandem hinge side

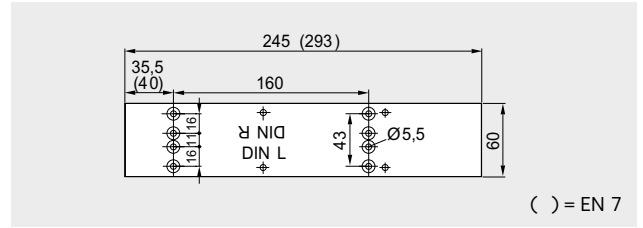
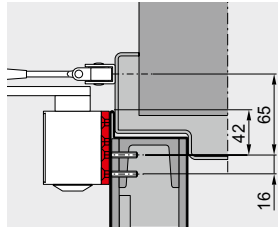


Example: DIN-L door, DIN-R door; mirror image

# Accessories

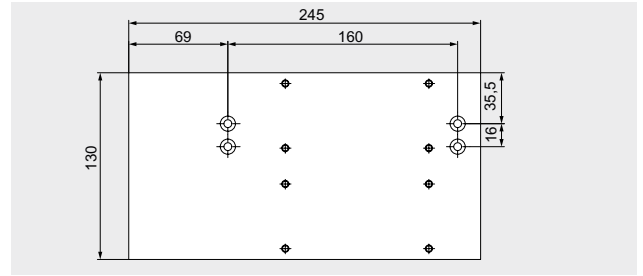
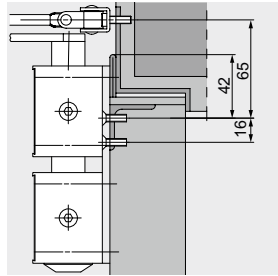
## Mounting backplate TS 83

For use with fire and smoke check doors and also as an intermediate plate when direct fixing to the door is not possible; with fixing hole pattern to EN 1154, supplement 1.



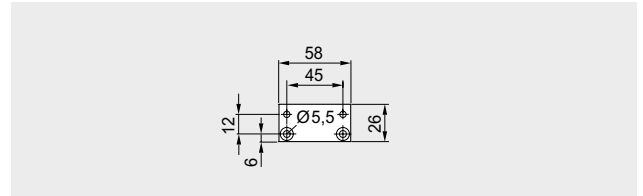
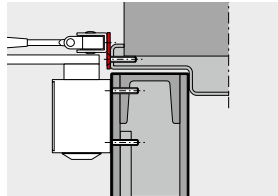
## Tandem mounting plate TS 83

For mounting two closers on particularly heavy doors. The closers are joined by means of a separate axle extension/coupling.



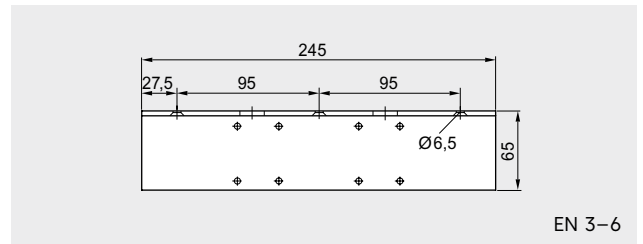
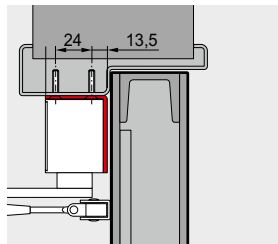
## Hinge plate TS 73 V / TS 83

For fixing the arm bracket to particularly narrow door frames.



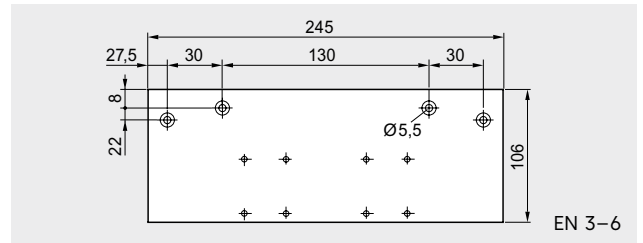
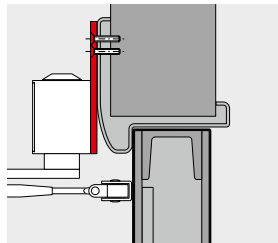
## Angle bracket TS 83

For frame/lintel fixing of the closer on the push side of doors with deep reveals. **On fire and smoke check doors, proof of suitability required in relation to the individual door concerned.**



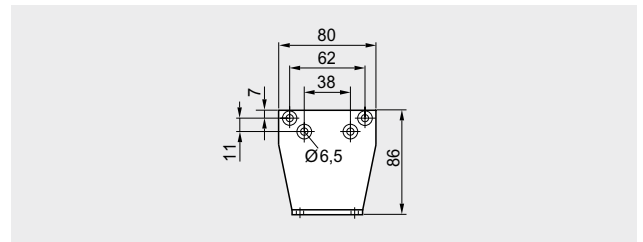
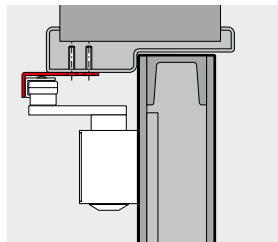
## Drop plate TS 73 V / TS 83

For installation on frame when direct fixing of closer is not possible. **On fire and smoke check doors, proof of suitability required in relation to the individual door concerned.**



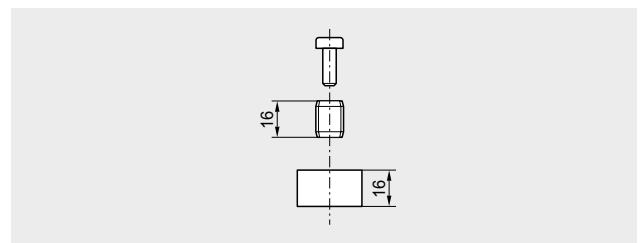
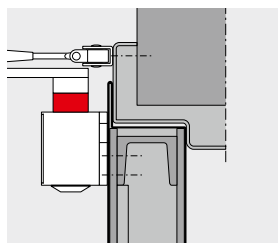
## Parallel arm bracket TS 73 V / TS 83

For parallel arm installation on the push side (see fixing instructions for dimensions). **On fire and smoke check doors, proof of suitability required in relation to the individual door concerned.**

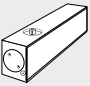




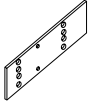
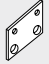
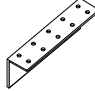
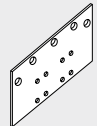
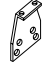

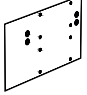


## Spindle extension TS 73 V / TS 83

For increasing the distance between the closer and the arm assembly in the case of doors with a high overlap; 16 mm high.



# Range of equipment and optional accessories

Closer body TS 83	Standard arm	Standard arm anticorrosive type (AC)v	Flatform arm	Hold-open arm with on/off switch	Mounting backplate	Arm bracket adapter plate	Angle bracket	Drop plate	Parallel arm bracket	Spindel extension 16 mm	Tandem mounting plate**
											
	<input type="checkbox"/> 220023xx		<input type="checkbox"/> 830001xx	<input type="checkbox"/> 220030xx	EN 3-6 380001xx EN 7 830011xx	830014xx	EN 3-6 380003xx	EN 3-6 380002xx	280066xx	83003705	28142002140
Size EN 3-6 BC/ÖD ■ 380101xx	■ <input type="checkbox"/>		■ <input type="checkbox"/>	■ <input type="checkbox"/>	△	△	△	△	△	△	△
Size EN 3-6 BC/ÖD + DC/SV ■ 380201xx	■ <input type="checkbox"/>		■ <input type="checkbox"/>	■ <input type="checkbox"/>	△	△	△	△	△	△	△
Size EN 3-6 BC/ÖD (AC)		■ 38030301			△	△	△	△	△	△	△
Size EN 7 BC/ÖD ■ 830601xx	■ <input type="checkbox"/>		■ <input type="checkbox"/>		△	△			△	△	

- Body only
- Arm only
- Closer with arm, complete
- △ Optional accessory

xx	Colour
01	Silver
11	White (RAL 9016)
09	Special colour

\* Anti-corrosion protected closers and arms available in silver (01) only.

\*\* NOT for size EN 7

## Specification text

### TS 83 EN 3 – 6

Rack and pinion door closer; with adjustable power size EN 3 – 6, according to EN 1154, carries the CE mark, integral self-regulating backcheck; closing speed adjustable in two independent ranges and adjustable latch action. Non-handed.

#### Accessories

##### Model

- with additional, adjustable delayed action
- anti-corrosion protected (AC)
- with standard arm
- with flatform arm
- with hold-open arm with switch

##### Colour

- silver
- white (sim. to RAL 9016)
- special colour (sim. to RAL)

##### Make

TS 83

### TS 83 EN 7

Rack and pinion door closer; with power size EN 7, according to EN 1154, carries the CE mark, integral self-regulating backcheck; adjustable closing speed and adjustable latch range. Non-handed.

#### Accessories

##### Model

- with standard arm
- with flatform arm
- with hold-open arm with switch

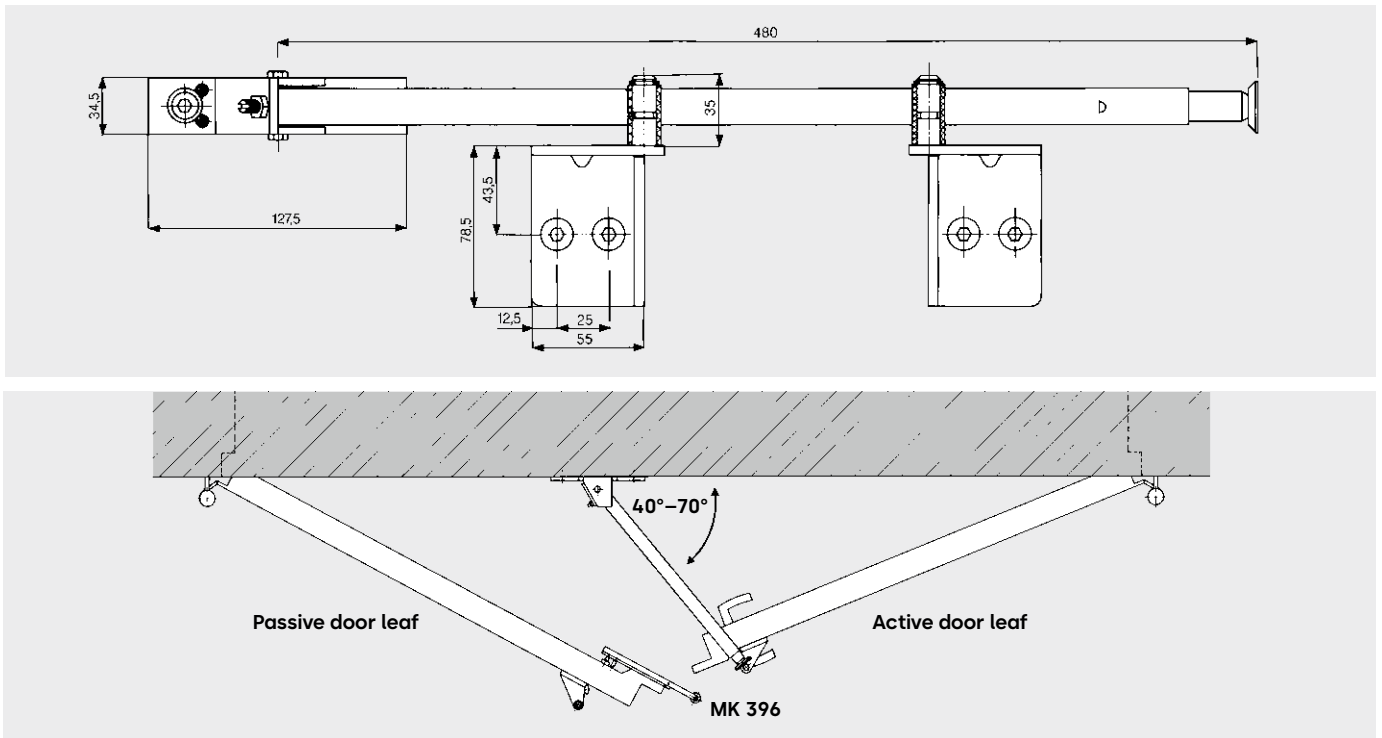
##### Colour

- silver
- white (sim. to RAL 9016)
- special colour (sim. to RAL)

##### Make

TS 83

# Door coordinator SR 390, surface mounted



The SR 390 is a proven, purely mechanical-action door coordinator for double-leaf fire and smoke doors. It is fitted on the door frame and can be used left and right. The SR 390 guarantees consistent locking of the door leaves.

The production plant is ISO 9001 certified.

## F Certificate of suitability

The SR 390 is tested and quality-monitored by the MPA NRW, Dortmund (Germany), in accordance with EN 1158 and carries the CE-identification for construction products. The SR 390 is approved by the Deutsches Institut für Bautechnik (DIBt), Berlin, in conjunction with fire and smoke doors. Acceptance inspection mandatory.

## Specification text

Door coordinator fitted on the door frame, can be used left and right, with integrated telescopic shock absorber, adjustment screws for subsequent tolerance compensation, includes try square and fastening accessories. Approved by the DIBt, Berlin, in conjunction with fire and smoke doors.

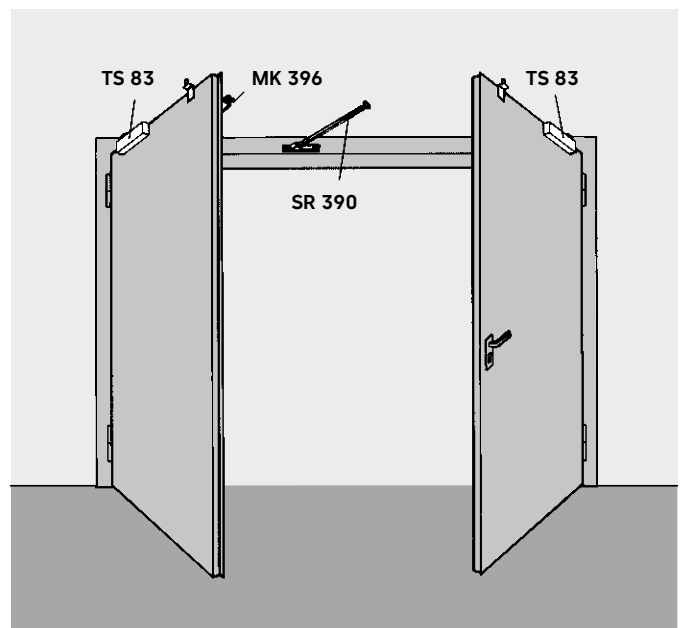
## Installation:

- Galvanised for steel doors
- Galvanised and silver-coloured paint for wooden doors

## Make:

dormakaba SR 390

In conjunction with dormakaba door closer (TS 83, TS 73 V) and carry bar MK 396. Also possible in combination with dormakaba floor spring BTS 80 F.





# The modular system to hold open fire and smoke doors

dormakaba completes its technically and aesthetically pioneering product range for fire and smoke doors with the new EM models to meet all needs. The new developments stand out due to their ease of installation and functional elegance. The guaranteed quality guarantees the highest reliability and a long service life.

The production plant is ISO 9001 certified.

## Benefits – point by point

### For trade

- Economical system solution thanks to low stock keeping with highest possible flexibility.
- Another module in the dormakaba product range, and as a result, everything comes from one provider.

### For fitters

- Quick and easy installation.
- Thought-through accessories for the most varied applications.

### For planners

- Uniform appearance for all versions.
- Modular system for flexible applications.

### For the end user

- Unobtrusive appearance.
- Concealed cable entry.
- Optimal holding force with low power consumption.

## Data and features 500

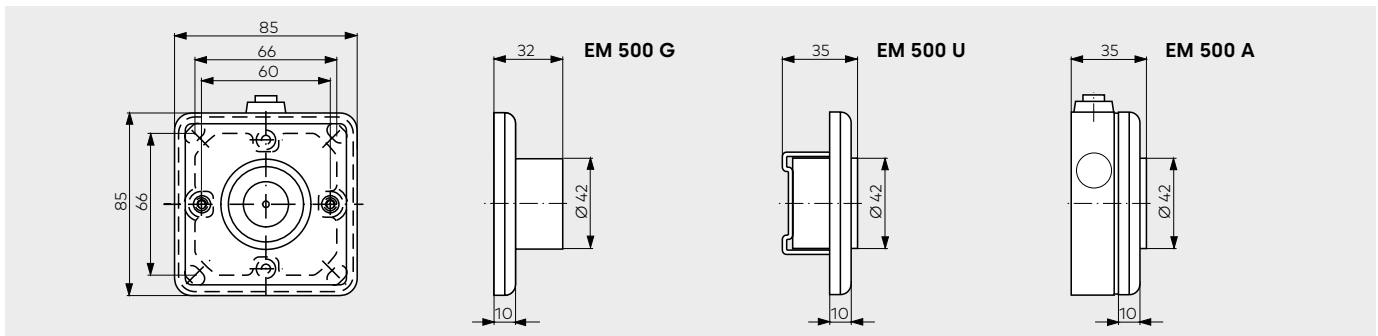
		500 G	500 U	500 A
Installation mounted	Surface-mounted	●	–	●
	Flush-mounted	–	●	–
	floor <sup>1)</sup>	●	–	●
Holding force	400 N	●	●	●
Anti-remance pin		●	●	●
Test pushbutton		–	–	●
Polarity reversal protection		●	●	●
Power Supplies 24 V AC/DC		●	●	●
Max. power consumption in W		1,5		
On-load factor in %		100		
Class of protection		IP 40 <sup>2)</sup>		
Ambient temperature in °C		0 – 50		
Weight in kg		0.41	0.42	0.46
Dimensions in mm		85	85	85
		85	85	85
		32	35	35
Hold-open system tested in accordance with EN 1155			●	
CE -Identification for construction products			●	

● yes – no

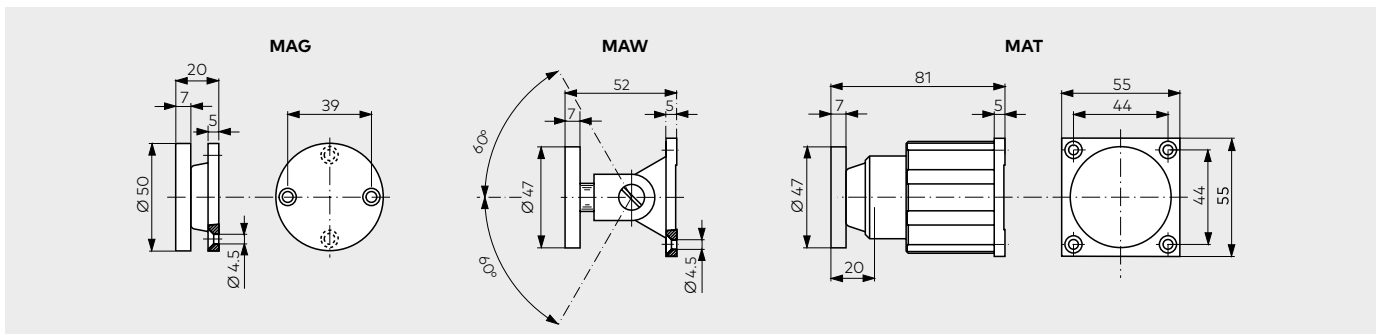
<sup>1)</sup> In conjunction with floor bracket (accessory)

<sup>2)</sup> EM 500 A in conjunction with floor bracket – class of protection IP 43

## Electric Magnets



## Anchor



Space for your notes



## Our Sustainability Commitment

We are committed to foster a sustainable development along our entire value chain in line with our economic, environmental and social responsibilities toward current and future generations. Sustainability at product level is an important, future-oriented approach in the field of construction. In order to give quantified disclosures of a product's environmental impact through its entire life cycle, dormakaba provides Environmental Product Declarations (EPD), based on holistic life cycle assessments.

[www.dormakaba.com/sustainability](http://www.dormakaba.com/sustainability)



## Our offering

### Access Automation Solutions

Entrance Automation  
Entrance Security



### Access Control Solutions

Electronic Access & Data  
Escape and Rescue Systems  
Lodging Systems



### Access Hardware Solutions

Door Closers  
Architectural Hardware  
Mechanical Key Systems



### Services

Technical Support  
Installation and commissioning  
Maintenance and Repair



### Key & Wall Solutions

Key Systems  
Movable / Sliding Walls



### Safe Locks

Electronic Safe Locks  
Mechanical Safe Locks  
Boltworks and Accessories



### Glass systems

Manual door systems  
Glass fittings  
Horizontal Sliding Walls



WN 05323651532, EN, 05/2023  
Subject to change without notice.



[dormakaba.com](http://dormakaba.com)

**dormakaba**  
**International Holding AG**  
Hofwissenstrasse 24  
CH-8153 Rümlang  
T +41 44 818 90 11  
[info@dormakaba.com](mailto:info@dormakaba.com)  
**dormakaba.com**